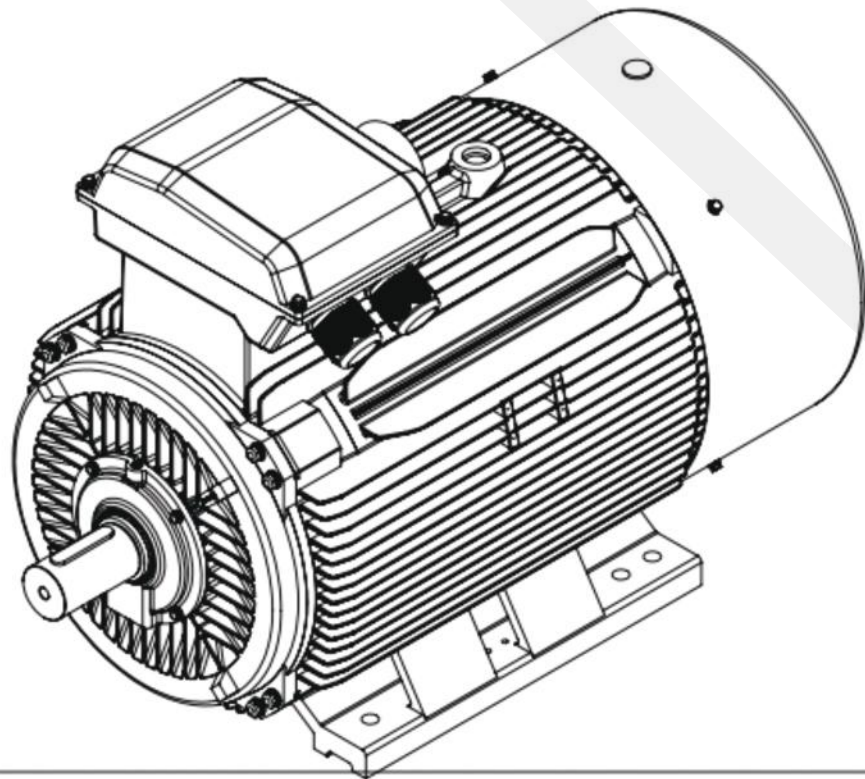


*Electric* s.r.o.



**4 LC-355L-B3  
Mounting diagram**