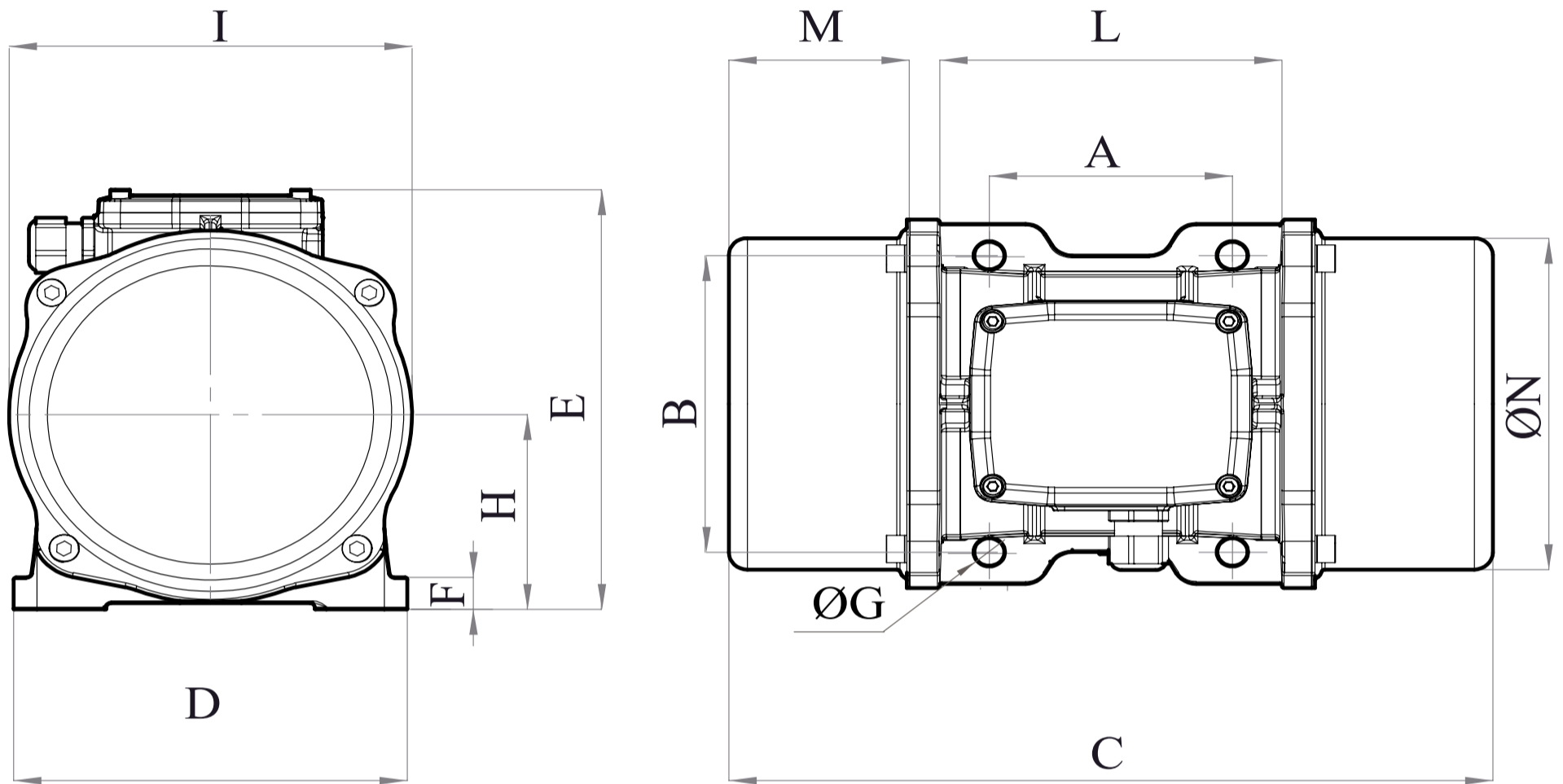




VEV 7200/15E-86A0

3 PH - 4 poles - 1500 RPM - 380-415 V [Delta] - 50 Hz

| Working moment [Kg*cm] | Unbalance [Kg*cm] | Centrifugal force [Kg] | Nominal voltage [V] | Input power [kW] | Current [A] | Power Factor | Ia/In |
|------------------------|-------------------|------------------------|---------------------|------------------|-------------|--------------|-------|
| 579,95 | 289,98 | 7.286 | 380-415 [Delta] | 6 | Δ 11 | 0,79 | 4,7 |



| OVERALL DIMENSIONS [mm] | | | | | | | | | | | | | |
|-------------------------|-----|-----|----|--------------|-----|-----|-----|----|-----|-----|-----|-----|-----|
| Weight [Kg] | A | B | G | Holes number | C | D | E | F | H | I | L | M | N |
| 237 | 200 | 320 | 28 | 4 | 624 | 385 | 402 | 40 | 203 | 394 | 360 | 130 | 378 |

| TECHNICAL FEATURES | | | | | | |
|--------------------|------------------|-------|------------|----------------------|------------|-------------|
| Type of grease | Greased for life | Screw | Washer | Clamping torque [Nm] | Cable type | Cable gland |
| MOBILITH SHC 100 | Yes | M27 | 28 x 50 mm | 873 | 4G6 120°C | M32 120°C |

| BEARINGS | | | | |
|---------------|------|-----------|----------|----------|
| Bearing model | Type | Life 100% | Life 80% | Life 50% |
| NJ 2317 | | 22330 | 46981 | >100000 |

| CERTIFICATION | |
|--|----------|
| ATEX II2 D Ex tb IIIC Tx Db IP66 IECEx Ex tb IIIC Tx Db IP66 CLASS II DIV.2 GROUP F,G T4 Ex tb IIIC Tx Db IP66 [Tx Size Micro,10-30:100°C - Tx Size 40-91:135°C] CONFTO UL1004-3, UL1004-1, UL 60079-0, UL60079-31 CERT. CSA C22.2 No.100, CSA C22.2 No.77, CSA C22.2N.60079-0, CSA C22.2N.60079-31 T.Amb -20/+40°C | |